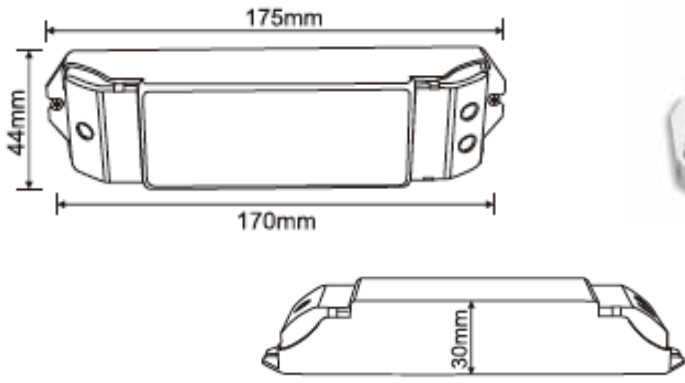




LTECH CV Power Repeater LT-3040-5A



LT-3040-5A

Input signal	PWM
Input voltage	DC5V~DC24V
Max load current	5A x4CH Max 20A
Max output pw.	100W/240W/480W(5V/12V/24V)
DMX512 socket	XLR-3, RJ45, Green terminal
Working temperature	-30°C~55°C
Dimensions	L175xW44xH30mm
Package Size	L178xW48xH33mm
Weight (G.W.)	110g

