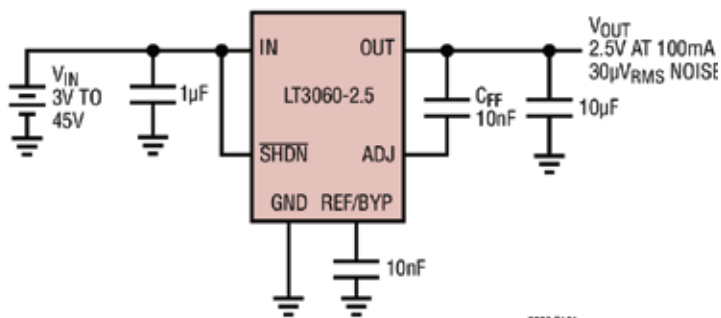




## LTECH CV Power Repeater LT-3060

### 2.5V Low Noise Regulator



3060 TA01



LT-3060 LED CV Power Repeater

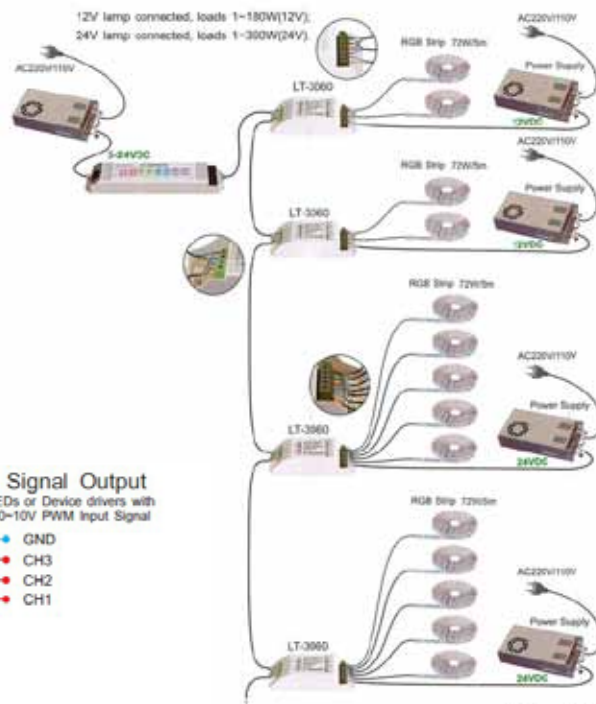
## LT-3060

Input signal	PWM
Input voltage	DC5V~DC24V
Max load current	5A ×3CH Max 15A
Max output pw.	7 5W/180W/360W(5V/12V/24V)
Output signal	CV PWM
Working temperature	-30°C~55°C
Dimensions	L121×W39×H39mm
Package Size	L123×W42×H42mm
Weight (G.W.)	100g

### 3. Terminal Description:



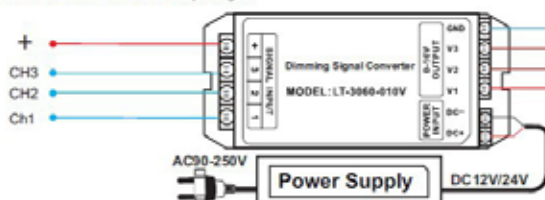
### 4. Wiring Diagram:



Update Time: 2016-03-22

### PWM Signal Input

Connect Dimmer or Driver with PWM Output Signal



### 0~10V Signal Output

Connect LEDs or Device drivers with 0~10V or 0~10V PWM Input Signal

