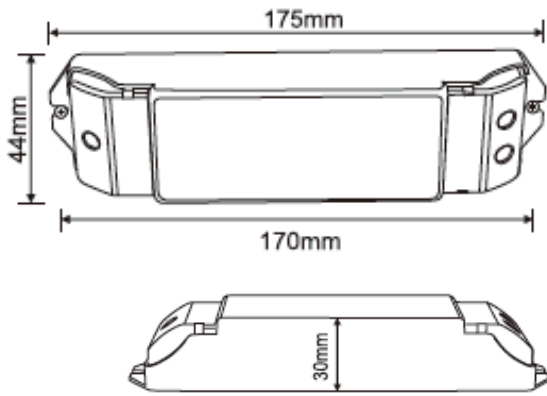




LTECH CV Dimming Driver LT-451-10A



LT-451-10A

Input signal	DALI digital dimming signal
Input Voltage	DC12V~DC24V
Output	10A ×1CH + 0-10V ×1CH
Max output power	120W(12V) 240W(24V)
Dimming Range	0.1~100%
Working temperature	-30°C~55°C
Dimensions	L175×W44×H30mm
Package Size	L178×W48×H33mm
Weight (G.W.)	150g



Press "M" Key to enter the setting interface

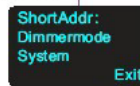


Figure 2 Setting Interface

Press "M" key, switch entries.
Press "▲" or "▼" key, adjust parameters.
Exit: Return to the previous menu.
Long press "M" key, return to the main display interface(Figure 1).

Please refer to the OLED display for detailed information.

