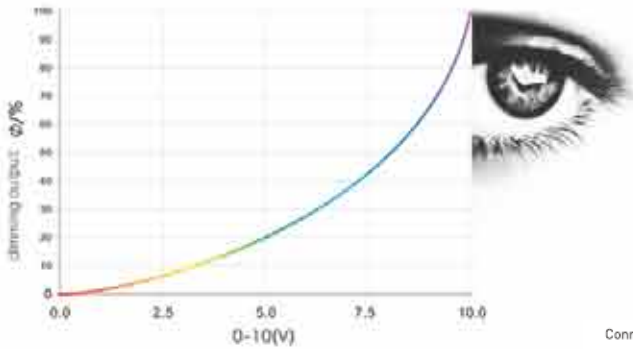




LTECH 4CH CV 0-10V 1-10V Dimming Driver LT-704-5A

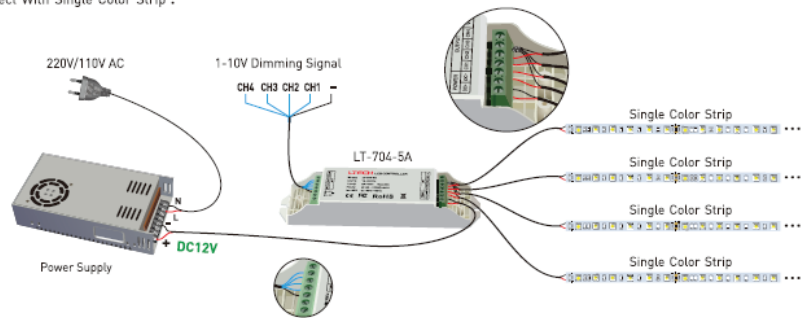
The unique dimming curve algorithm, dimming smooth without flicker.



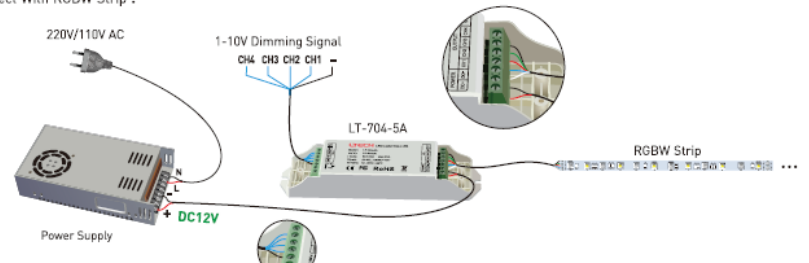
LT-704-5A

Input Signal	0-10V, 1-10V, 10V PWM
Input voltage	DC12V~DC24V
Max load current	5A ×4CH Max 20A
Max output power	240W/480W(12V/24V)
Dimming Range	0~100%
Working temperature	-30°C~55°C
Dimension	L175×W44×H30mm
Package Size	L178×W48×H33mm
Weight(G.W.)	130g

Connect With Single Color Strip :



Connect With RGB Strip :



Dimensions

