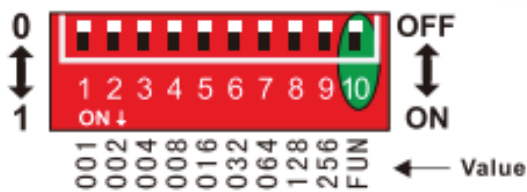


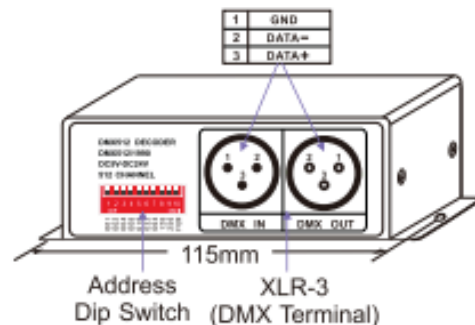
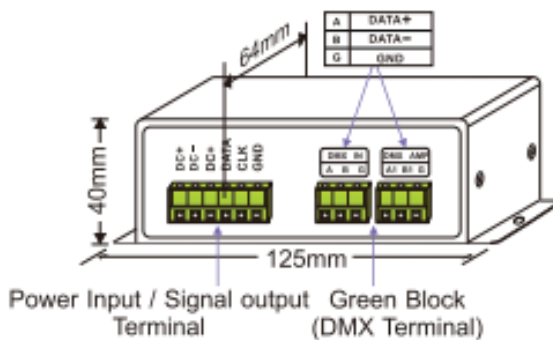


## LTECH DMX-SPI Decoder LT-DMX-1809

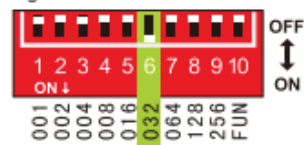


### LT-DMX-1809

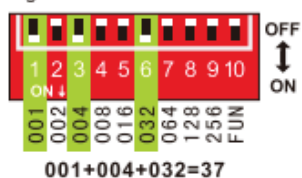
Input Signal	DMX512
Input Voltage	DC5V~DC24V
Decoder channels	512 DMX CH/unit
Max Output Power	240W/576W/1152W
DMX512 Socket	XLR-3, Green terminal
Dimming Range	0~100%
Operating temperature	-30°C~65°C
Dimensions	L125×W52×H40mm
Package Size	L135×W70×H50mm
Weight (G.W.)	300g



E.g.1: Set Initial Address To 32.



E.g.2: Set Initial Address To 37.



E.g.3: Set Initial Address To 178.

