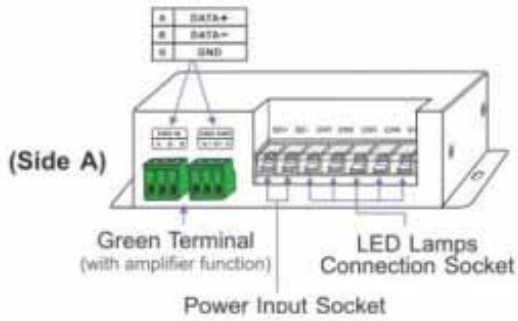




LITECH 4CH CV DMX-PWM Decoder LT-840-6A



LT-840-6A

Input signal	DMX512
Input voltage	DC5V~DC24V
Max load current	6A ×4CH Max 24A
Max output pw.	120W/288W/576W(5V/12V/24V)
DMX512 socket	XLR-3, RJ45, Green terminal
Dimming range	0~100%
Working temperature	-30°C~65°C
Dimensions	L163×W78×H40mm
Package Size	L180×W82×H50mm
Weight (G.W.)	445g

